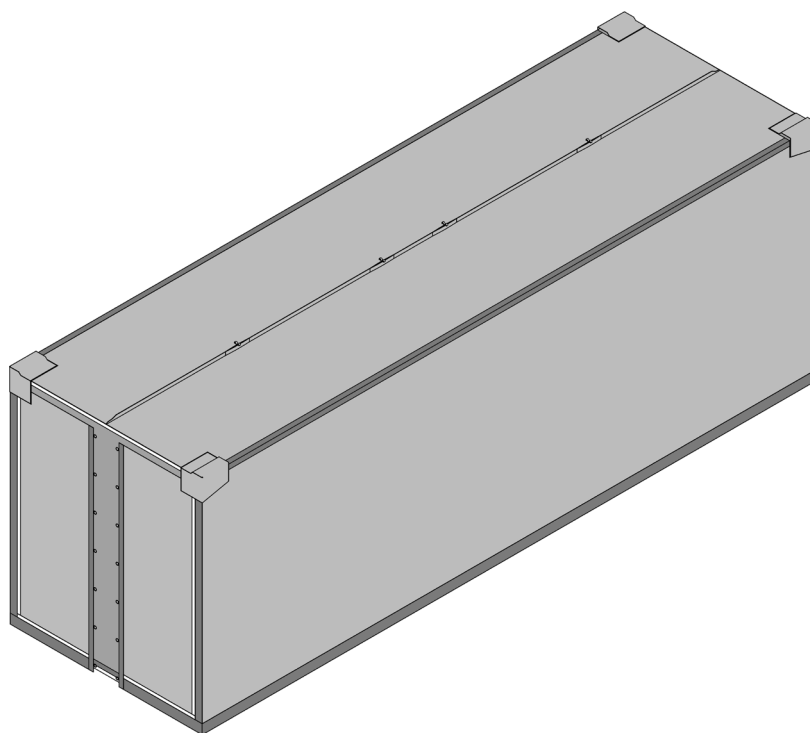




# Looping

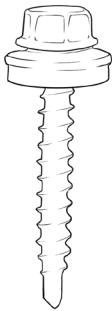
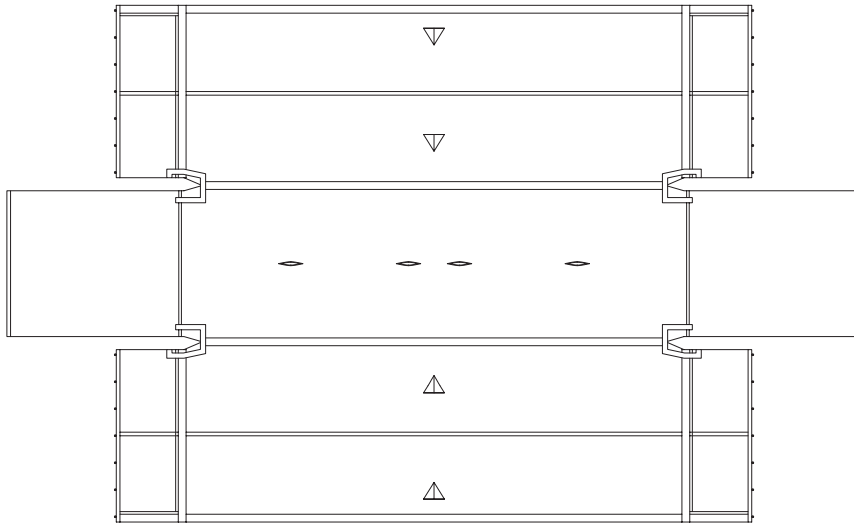
User manual



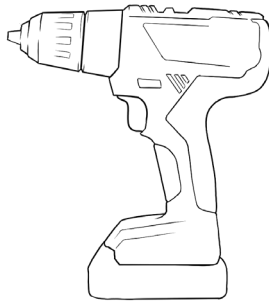
Modulcover™

## Chapel

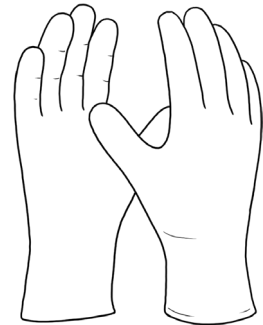
### Modulcover™ Chapel



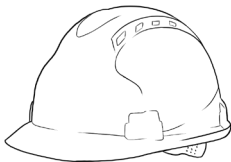
M8X35  
10-15 stk



X 1



X 1



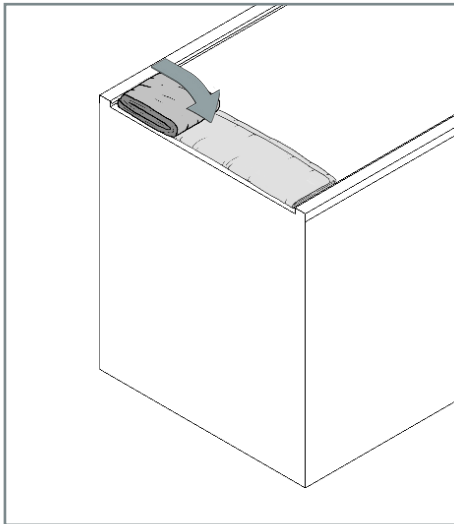
### HMS

We advise the users to follow the rules applied at the location.

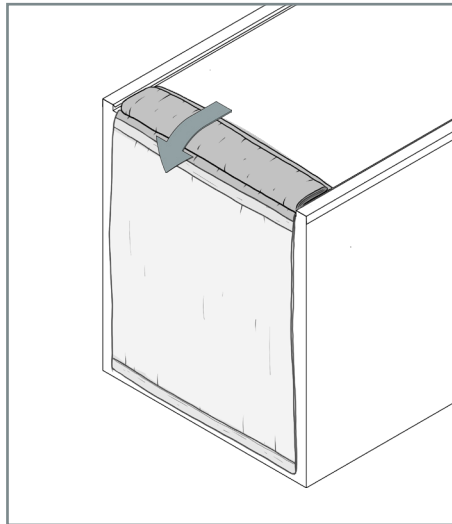


### Safety equipment

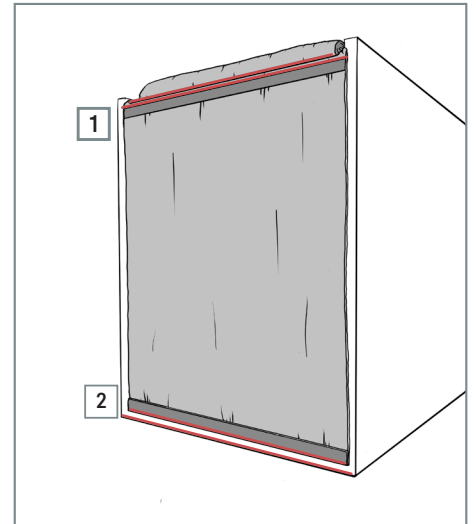
When working in heights with our products, we strongly advice to use approved safety harness and equipment.



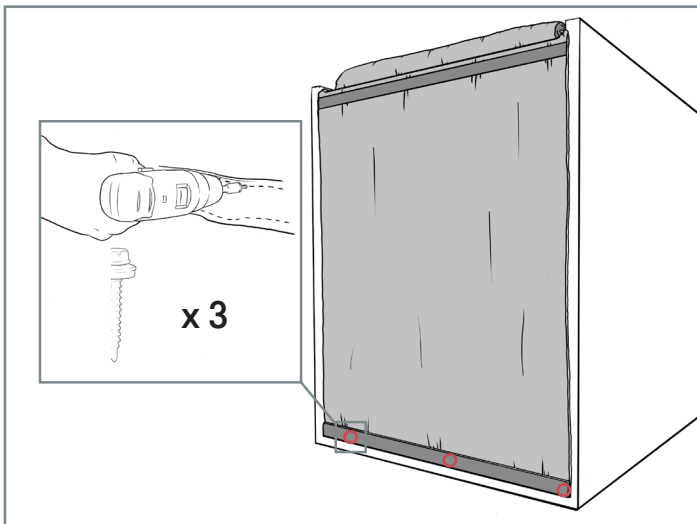
Place the cover in one of the module corners. Unfold parallel to the module.



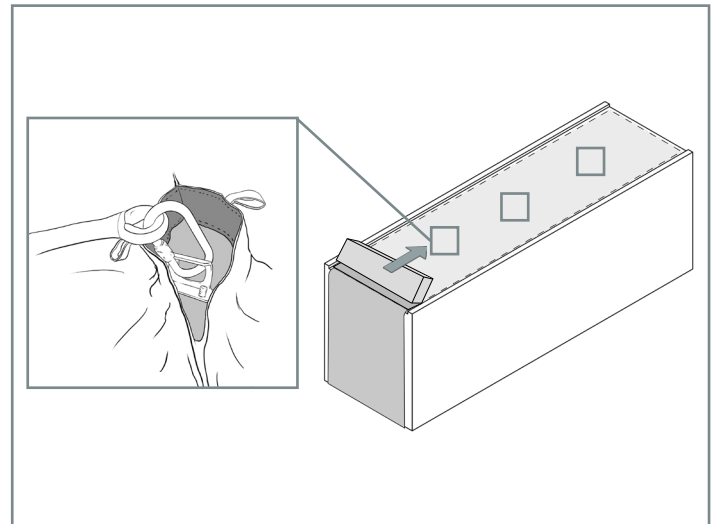
Fold the short side down. Adjust the corners.



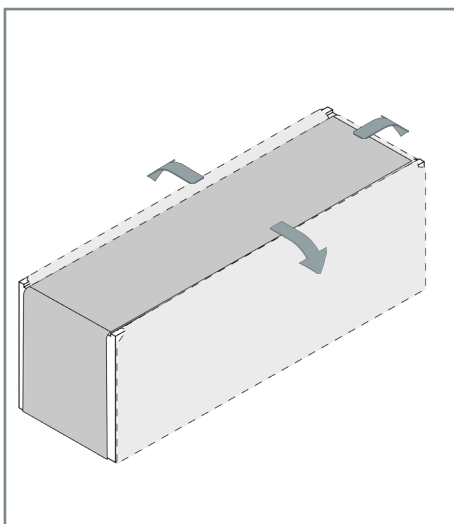
Reflective tape and bottom edge of the cover has to be parallel to the module.



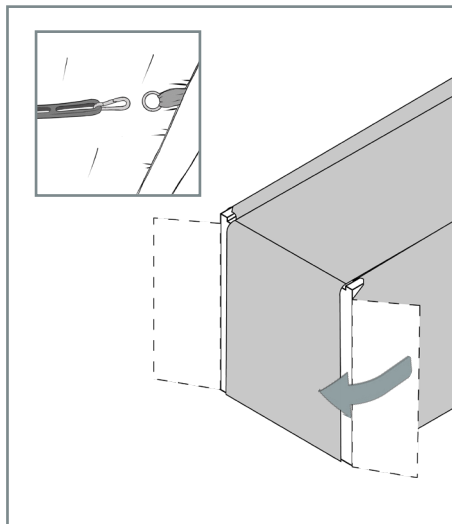
Secure the position of the cover with three screws at the bottom. Mount the screws at the seam for easy mounting.



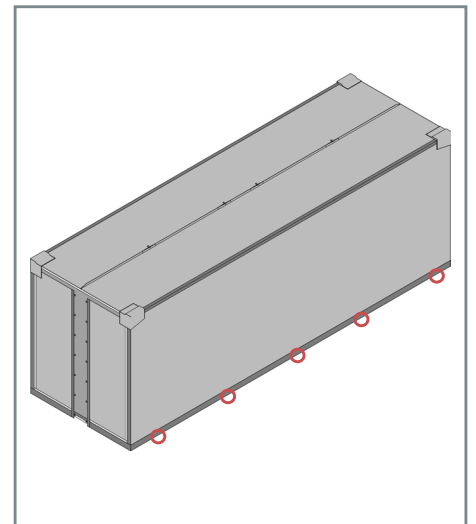
Unfold the cover parallel to the length of the module. Open the velcro to connect to the safety hooks.



Fold out the long sides and final short side. Adjust the corners



Connect the two side doors with the rubber straps.



Adjust the corner covers. For extra protection, use screws at the bottom.