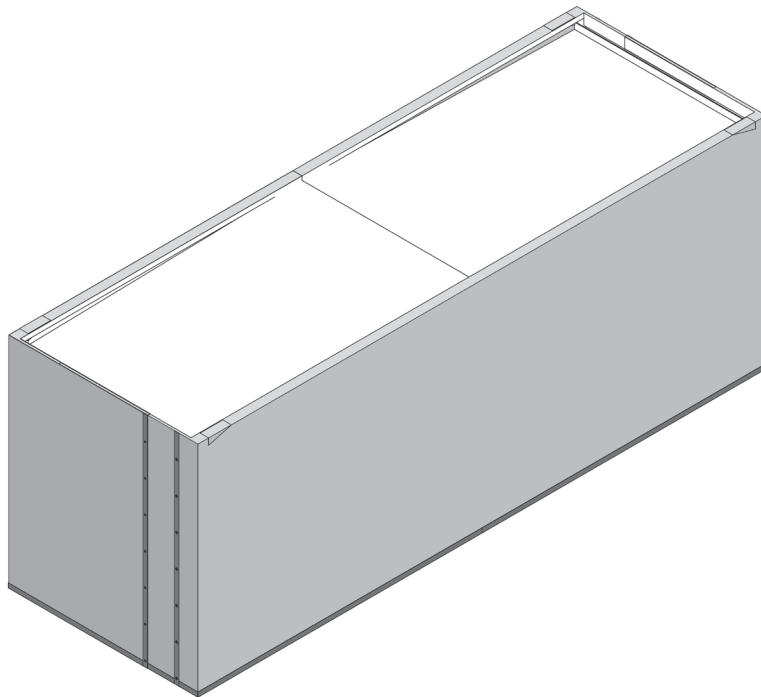




Looping

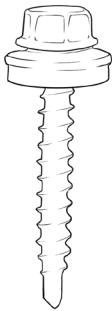
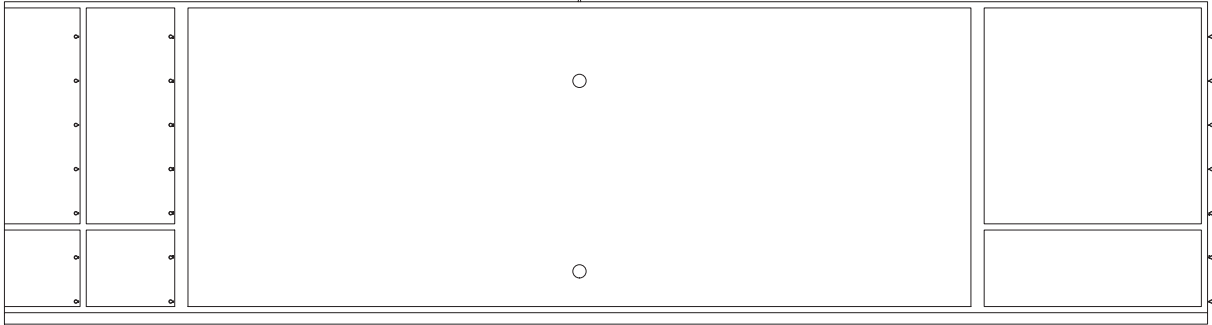
User manual



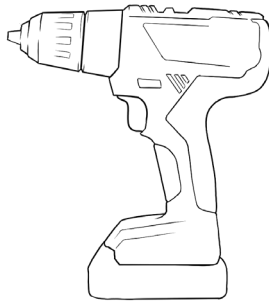
Modulcover™

Flex

Modulcover™ Flex



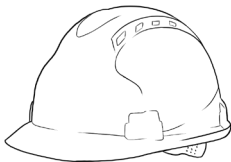
M8X35
44 stk



X1



X1



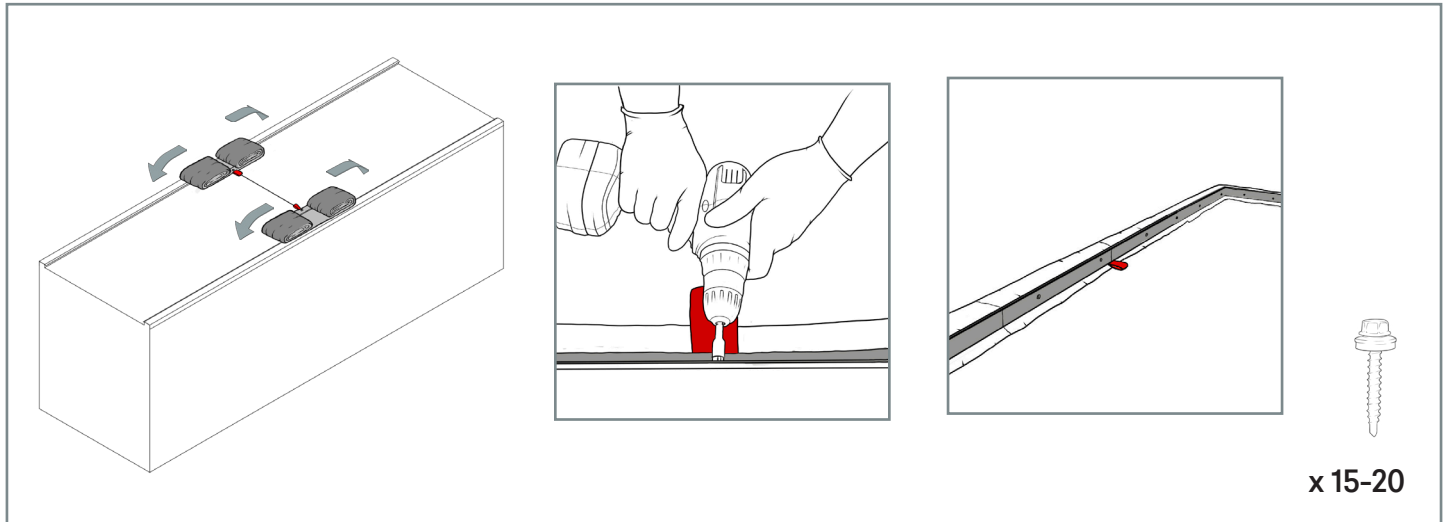
HMS

We advise the users to follow the rules applied at the location.



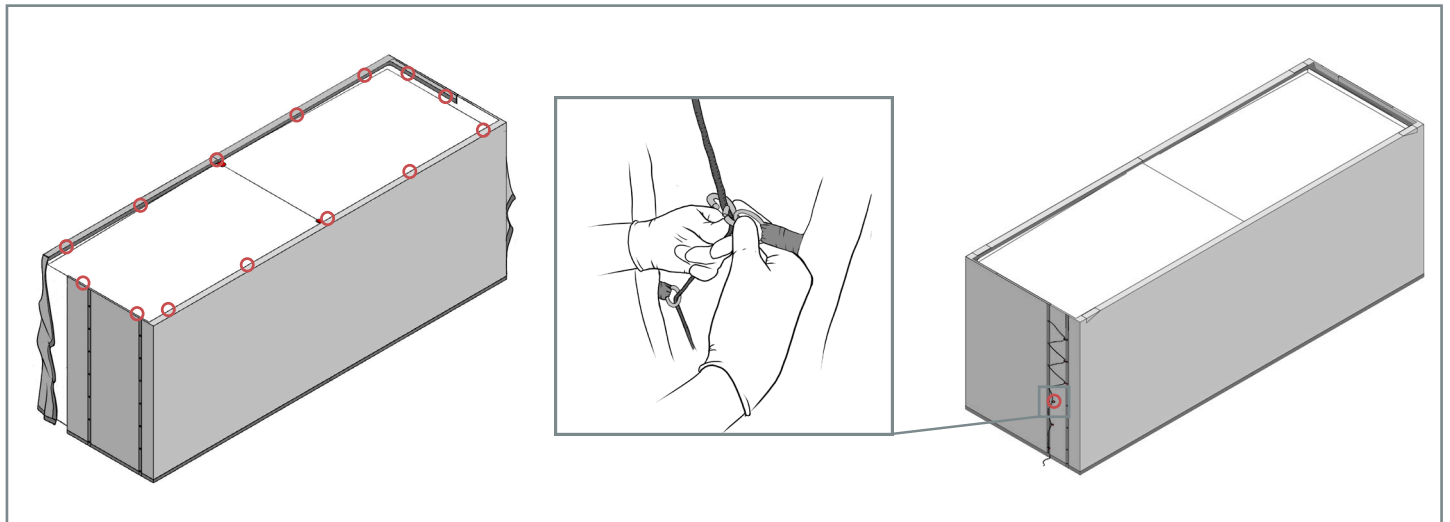
Safety equipment

When working in heights with our products, we strongly advise to use approved safety harness and equipment.



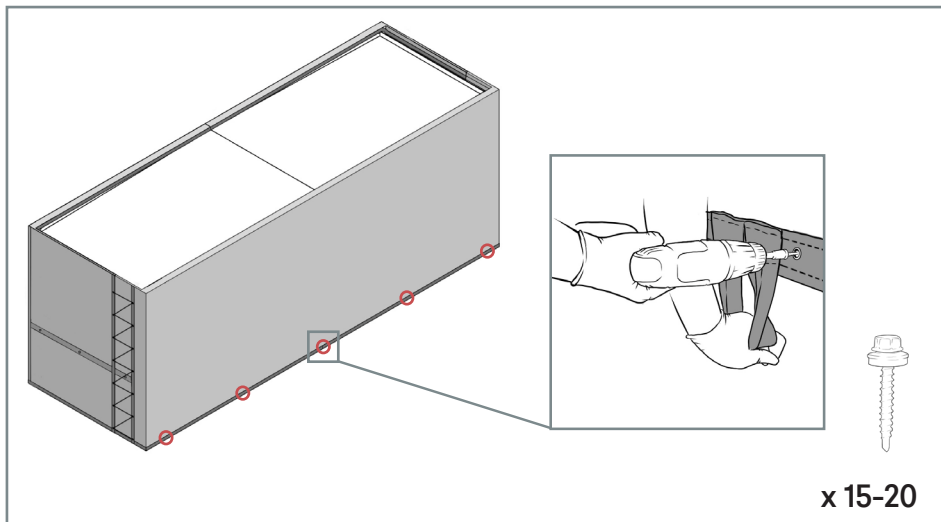
Align the covers at the center of the module. Use the colored tag as center indication. Fasten one screw in the center.

Unfold the cover. Continue fastening the webbing parallel to the module edge.

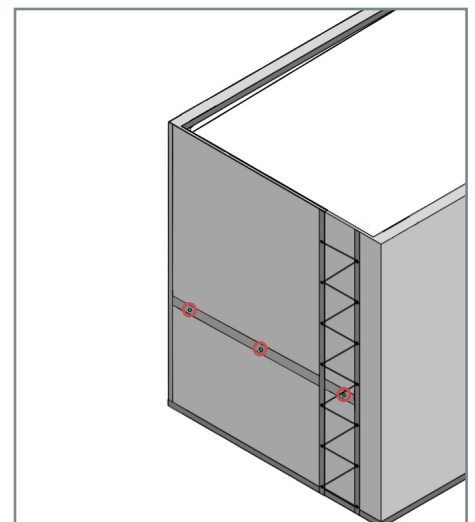


Leave the right side of the cover unfastened. Attach the right side of the cover to the other cover using the carabin hooks.

Tighten the rope top to bottom.



Attach the cover at the bottom of the module. Pull the handles to get a tight fit.



Attach the cover on the short end for additional fastening.