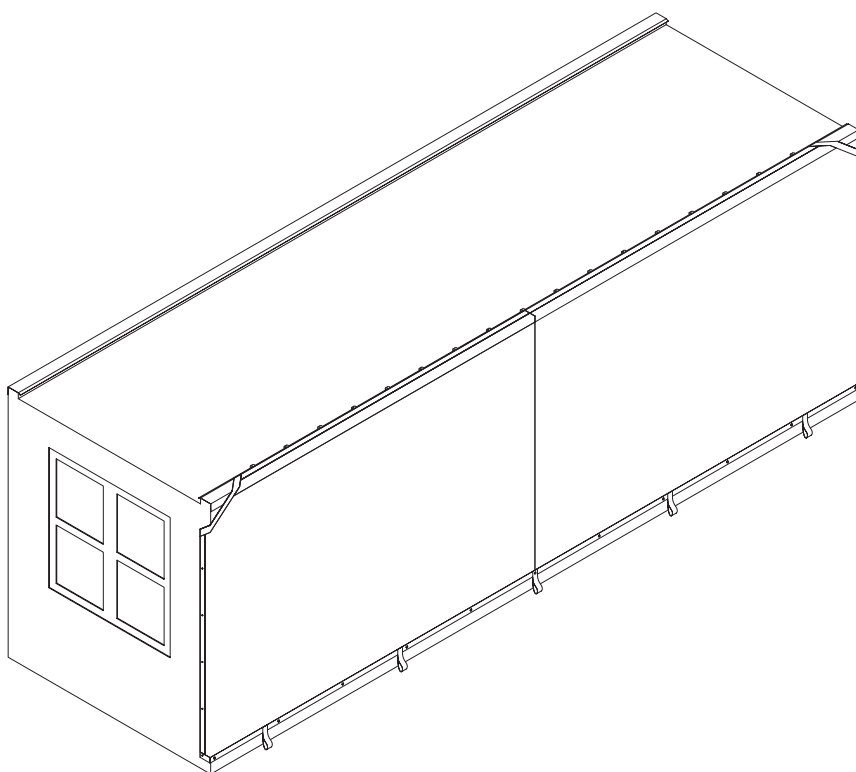
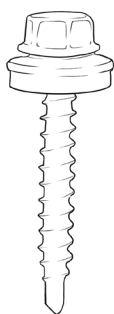
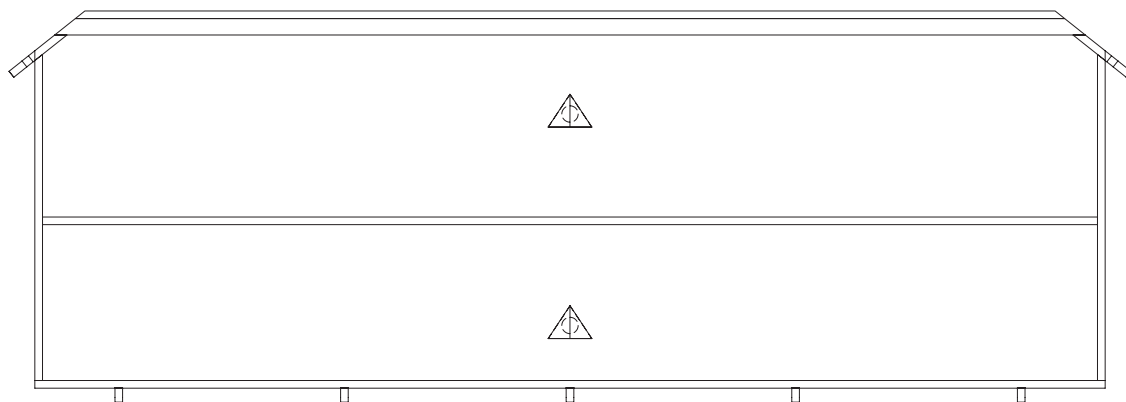


Looping

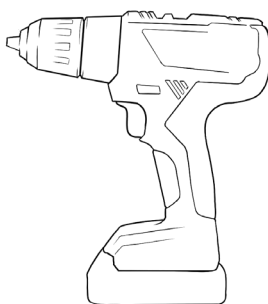
User manual



Modulcover



M8X35
16 pcs



X1



X1



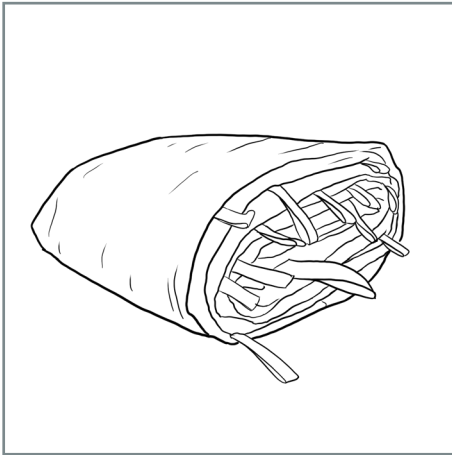
HMS

We advice the users to follow the rules applied at the location.

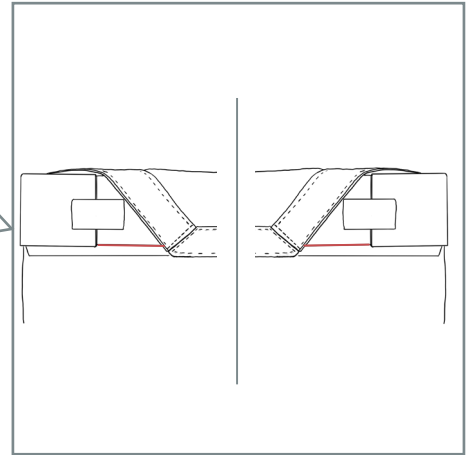
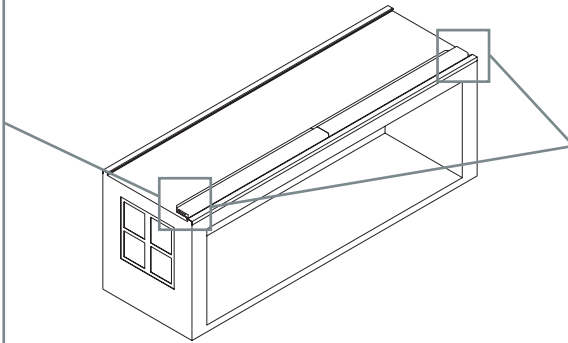


Safety equipment

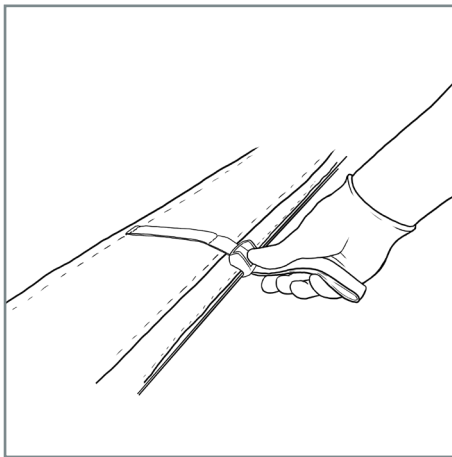
When working in heights mounting the Modulcover, we advice to use approved safety harness and equipment.



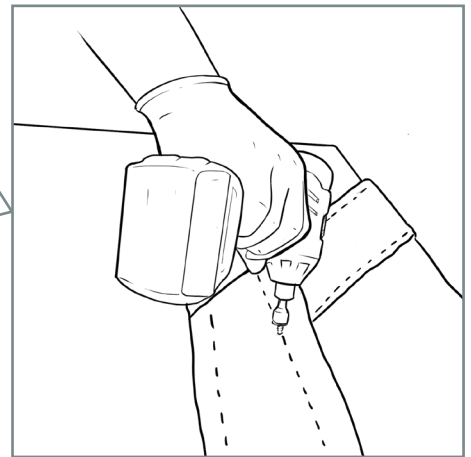
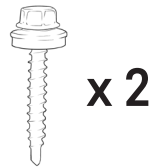
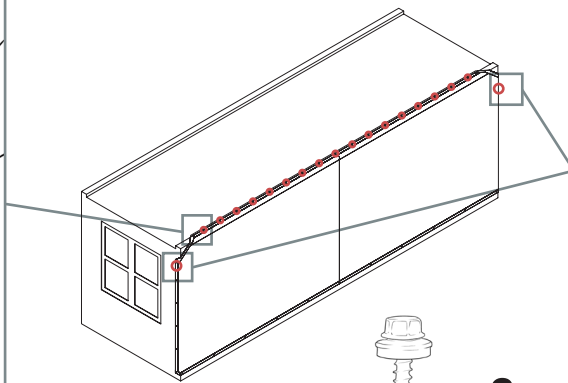
Roll out the cover along the long side.



Align the cover with equal space at each corner.



Connect the hooks. Use the extra material between the metal and hook for a tight fit.



Mount the screws at the top side corner from the roof.

- 1 Mount one screw at the center cover. Pull the handle for a tight fit.
- 2 Continue with the screws on each side, 50cm spacing.
- 3 Continue with the screws at the bottom, 150cm spacing
- 4 Optional. Finish with two screws in the center webbing.

